

**Hoist Ring**  
with Alloy Steel Washer

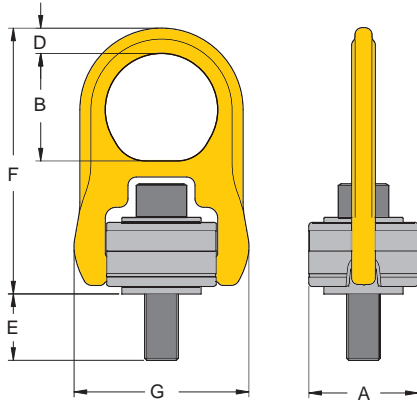
**UNC Thread (8-204)**

Item No.	Working Load Limit lbs*	Bolt Size	Dimensions (inch)						Torque in ft. lbs	N.W. lbs
			A	B	D	E	F	G		
<b>8-204-004</b>	800	5/16 - 18UNC	1.57	1.61	0.35	0.71	4.02	2.56	7	0.9
<b>8-204-005</b>	1000	3/8 - 16UNC	1.57	1.61	0.35	0.71	4.02	2.56	12	0.9
<b>8-204-010</b>	2500	1/2 - 13UNC	2.56	2.32	0.59	0.75	6.26	4.13	28	3.7
§ <b>8-204-010L</b>	2500	1/2 - 13UNC	2.56	2.32	0.59	1.26	6.26	4.13	28	3.7
<b>8-204-019</b>	4000	5/8 - 11UNC	2.56	2.32	0.59	0.74	6.26	4.13	60	4.0
§ <b>8-204-019L</b>	4000	5/8 - 11UNC	2.56	2.32	0.59	1.75	6.26	4.13	60	4.0
<b>8-204-021</b>	5000	3/4 - 10UNC	2.56	2.87	0.59	1.24	6.26	4.13	100	4.0
§ <b>8-204-021L</b>	5000	3/4 - 10UNC	2.56	2.87	0.59	1.73	6.26	4.13	100	4.2
<b>8-204-030</b>	7000	3/4 - 10UNC	3.35	2.87	0.59	0.87	6.26	5.28	100	8.8
§ <b>8-204-030L</b>	7000	3/4 - 10UNC	3.35	2.87	0.87	1.87	8.03	5.28	100	9.5
<b>8-204-042</b>	8000	7/8 - 9UNC	3.35	2.87	0.87	1.43	8.03	5.28	160	9.3
§ <b>8-204-042L</b>	8000	7/8 - 9UNC	3.35	2.87	0.87	2.37	8.03	5.28	160	9.7
<b>8-204-045</b>	10000	1 - 8UNC	3.35	2.87	0.87	1.36	8.03	5.28	230	9.5
§ <b>8-204-045L</b>	10000	1 - 8UNC	3.35	2.87	0.87	2.36	8.03	5.28	230	10.1
<b>8-204-070</b>	15000	1 1/4 - 7UNC	3.95	3.15	1.00	2.22	8.58	6.30	470	14.5
<b>8-204-125</b>	24000	1 1/2 - 6UNC	4.72	4.29	1.38	3.15	12.09	8.66	800	35.2
<b>8-204-135</b>	30000	2 - 4.5UNC	4.72	4.29	1.38	3.17	12.09	8.66	1100	35.2

★ Safety Factor 5:1

§ Long Bolts are designed for soft metal work piece.

\*\* Bolts in GEOMET® finished on request.



## Hoist Ring

with Ball Bearing

*Ball Bearing Inside*  
**Patent**

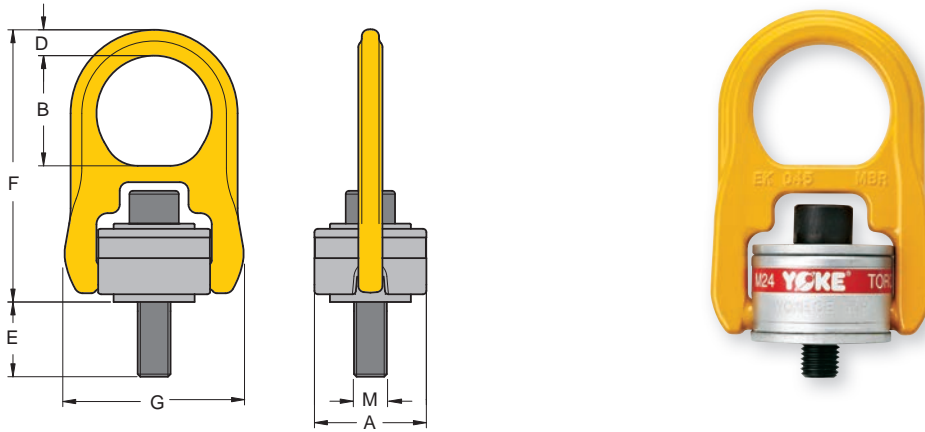
### UNC Thread (8-202)

Item No.	Working Load Limit lbs*	Bolt Size	Dimensions (inch)						Torque in ft. lbs	N.W. lbs
			A	B	D	E	F	G		
8-202-004	800	5/16 - 18UNC	1.57	1.61	0.35	0.71	4.02	2.56	7	0.9
8-202-005	1000	3/8 - 16UNC	1.57	1.61	0.35	0.71	4.02	2.56	12	0.9
8-202-010	2500	1/2 - 13UNC	2.56	2.32	0.59	1.07	6.26	4.13	28	3.7
§ 8-202-010L	2500	1/2 - 13UNC	2.56	2.32	0.59	1.26	6.26	4.13	28	4.1
8-202-019	4000	5/8 - 11UNC	2.56	2.32	0.59	0.74	6.26	4.13	60	3.7
§ 8-202-019L	4000	5/8 - 11UNC	2.56	2.32	0.59	1.75	6.26	4.13	60	4.0
8-202-021	5000	3/4 - 10UNC	2.56	2.87	0.59	1.24	6.26	4.13	100	4.0
§ 8-202-021L	5000	3/4 - 10UNC	2.56	2.87	0.59	1.73	6.26	4.13	100	4.0
8-202-030	7000	3/4 - 10UNC	3.35	2.87	0.59	0.87	6.26	5.28	100	9.0
§ 8-202-030L	7000	3/4 - 10UNC	3.35	2.87	0.87	1.87	8.03	5.28	100	9.0
8-202-042	8000	7/8 - 9UNC	3.35	2.87	0.87	1.43	8.03	5.28	160	9.2
§ 8-202-042L	8000	7/8 - 9UNC	3.35	2.87	0.87	2.37	8.03	5.28	160	9.5
8-202-045	10000	1 - 8UNC	3.35	2.87	0.87	1.36	8.03	5.28	230	9.3
§ 8-202-045L	10000	1 - 8UNC	3.35	2.87	0.87	2.36	8.03	5.28	230	9.7

★ Safety Factor 5:1

§ Long Bolts are designed for soft metal work piece.

\*\* Bolts in GEOMET® finished on request.



## Hoist Ring

with Alloy Steel Washer

-40°C

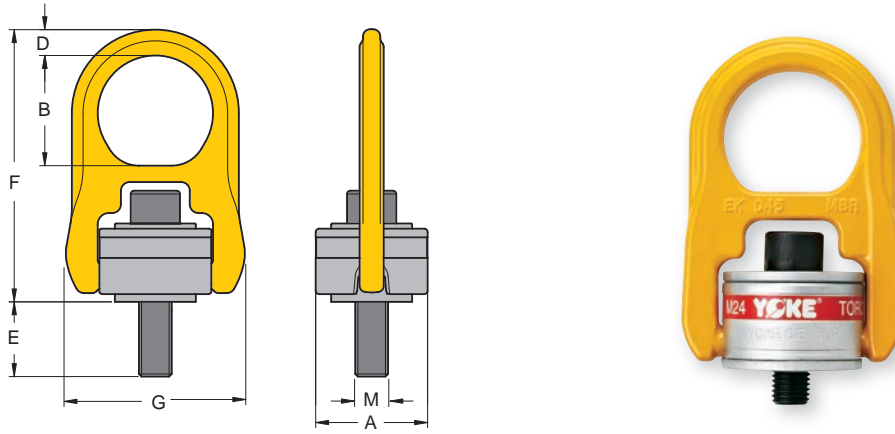
### Metric Thread (8-203)

Item No.	Working Load Limit		Thread	Dimensions (mm)						Torque in Nm	N.W. kg
	tonnes*			M	A	B	D	E	F		
	5 : 1	4 : 1									
8-203-004	0.40	0.50	M 8	40	41	9	17	102	65	10	0.4
8-203-005	0.45	0.55	M10	40	41	9	11	102	65	16	0.5
§ 8-203-005L	0.45	0.55	M10	40	41	9	26	102	65	16	0.5
8-203-010	1.05	1.30	M12	65	64	15	15	158	105	38	1.7
§ 8-203-010L	1.05	1.30	M12	65	64	15	30	158	105	38	1.7
8-203-019	1.90	2.40	M16	65	64	15	20	158	105	81	1.8
§ 8-203-019L	1.90	2.40	M16	65	64	15	35	158	105	81	1.8
8-203-021	2.15	2.70	M20	65	64	15	25	158	105	136	1.8
§ 8-203-021L	2.15	2.70	M20	65	64	15	45	158	105	136	1.9
8-203-030	3.00	3.75	M20	85	79	19	25	204	134	136	4.0
§ 8-203-030L	3.00	3.75	M20	85	79	19	45	204	134	136	5.2
8-203-042	4.20	5.25	M24	85	79	19	26	204	134	312	4.2
§ 8-203-042L	4.20	5.25	M24	85	79	19	56	204	134	312	4.3
8-203-070	7.00	8.75	M30	100	100	25	81	241	160	637	6.6
8-203-110	11.00	13.75	M36	120	111	30	76	286	194	1005	15.0
8-203-125	12.50	15.60	M42	120	111	30	95	286	220	1005	16.0
8-203-135	13.50	16.90	M48	120	111	30	105	286	220	1350	16.0
8-203-155	15.50	19.40	M56	138	109	34	94	308	241	1350	19.1
8-203-223	22.30	27.90	M64	138	100	38	98	312	241	2847	23.0

\* Proof Load is 2.5 times the Working Load Limit on the 4:1 design factor.

\*\* Bolt in GEOMET® finished on request

§ Long Bolts are designed for soft metal work piece.



**Hoist Ring**  
with Ball Bearing

*Ball Bearing Inside*  
**Patent**

**-40°C**

**Metric Thread (8-201)**

Item No.	Working Load Limit		Bolt Size	Dimensions (mm)					Torque in Nm	N.W. kg	
	tonnes*			A	B	D	E	F			G
	5 : 1	4 : 1									
<b>8-201-004</b>	0.40	0.50	M 8	40	41	9	16.5	102	65	10	0.4
<b>8-201-005</b>	0.45	0.55	M10	40	41	9	11.5	102	65	16	0.4
§ <b>8-201-005L</b>	0.45	0.55	M10	40	41	9	26.5	102	65	16	0.5
<b>8-201-010</b>	1.05	1.30	M12	65	64	15	14.0	158	105	38	1.7
§ <b>8-201-010L</b>	1.05	1.30	M12	65	64	15	29.0	158	105	38	2.1
<b>8-201-019</b>	1.90	2.40	M16	65	64	15	19.0	158	105	81	1.7
§ <b>8-201-019L</b>	1.90	2.40	M16	65	64	15	34.0	158	105	81	1.8
<b>8-201-021</b>	2.15	2.70	M20	65	64	15	24.0	158	105	136	1.8
§ <b>8-201-021L</b>	2.15	2.70	M20	65	64	15	44.0	158	105	136	1.8
<b>8-201-030</b>	3.00	3.75	M20	85	79	19	25.0	204	134	136	4.1
§ <b>8-201-030L</b>	3.00	3.75	M20	85	79	19	45.0	204	134	136	4.2
<b>8-201-042</b>	4.20	5.25	M24	85	79	19	25.0	204	134	312	4.2
§ <b>8-201-042L</b>	4.20	5.25	M24	85	79	19	50.0	204	134	312	4.3

\* Proof Load is 2.5 times the Working Load Limit on the 4:1 design factor.

\*\* Bolt in GEOMET® finished on request

§ Long Bolts are designed for soft metal work piece.