

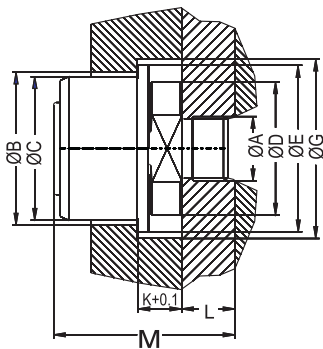
COUPLINGS, MULTICOUPLINGS & MOULD COOLING PRODUCTS

KUPPLUNGEN, MULTIKUPPLUNGEN & KÜHLUNGSELEMENTE FÜR WERKZEUGE

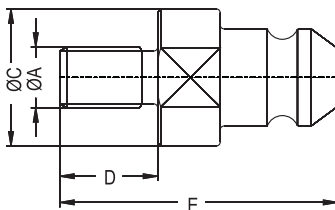
SERIE 300



Couplings / Kupplung



Plugs / Nippel



Connection Anschlüsse	Order No / Bestellnr.	B	C	D	E	G	K	L	M	Pul Force Kg.
M12x1.75	300-01 EGM 12x1.75	34	32	32	39	44	10	15	42.5	1500
M16x1.5	300-01 EGM 16	34	32	32	39	44	10	15	42.5	1500
M16x1.5	300-02 EGM 16	40	38	38	48	53	13	15	52	2400
M16x2.0	300-02 EGM 16x2.0	40	38	38	48	53	13	15	52	2400
M16x1.5	300-03 EGM 16	58	56	52	65	70	17	18	68	3200
M18x1.5	300-03 EGM 18	58	56	52	65	70	17	18	68	3200
M20x1.5	300-03 EGM 20	58	56	52	65	70	17	18	68	3200
M24x1.5	300-03 EGM 24	58	56	52	65	70	17	18	68	3200
M27x1.5	300-03 EGM 27	58	56	52	65	70	17	18	68	3200
M30x1.5	300-03 EGM 30	58	56	52	65	70	17	18	68	3200

M10x1.5	300-01 EUM10x1.5	22.5	20	45.5
M12x1.75	300-01 EUM12x1.75	22.8	20	45.5
M14x2.0	300-01 EUM14x2.0	22.5	20	45.5
M14x2.0	300-01 EUM16x2.0	22.5	20	45.5
M10x1.5	300-02 EUM10x1.5	25.5	20	55
M12x1.75	300-02 EUM12x1.75	25.8	20	55
M14x2.0	300-02 EUM14x2.0	25.5	20	55
M16x2.0	300-02 EUM16x2.0	25.5	20	55
M16x2.0	300-03 EUM16x2.0	35	25	68
M18x2.5	300-03 EUM18x2.5	35	25	68
M20x2.5	300-03 EUM20x2.5	35	25	68
M24x3.0	300-03 EUM24x3.0	35	25	68
M27x3.0	300-03 EUM27x3.0	35	25	68
M30x3.5	300-03 EUM30x3.5	35	25	68

Standard Version / Material - Material

Coupler Body - Kupplungsgrundkörper	: Steel -Stahl
Sleeve - Hülse	: Steel & Hardened - Stahl gehärtet
Springs - Federn	: Steel - Stahl
Balls - Kugeln	: Steel & Hardened - Stahl gehärtet
Male Part	: Steel & Hardned - Stahl gehärtet

Advantages

Mould change time would be reduced It can be used with the existing mould By means of fixed coupling hydraulic return Gain time when changing mould

Vorteile

Verringert Rüstzeiten beim Werkzeugwechsel Kann zu bestehenden Sytemen adaptiert werden